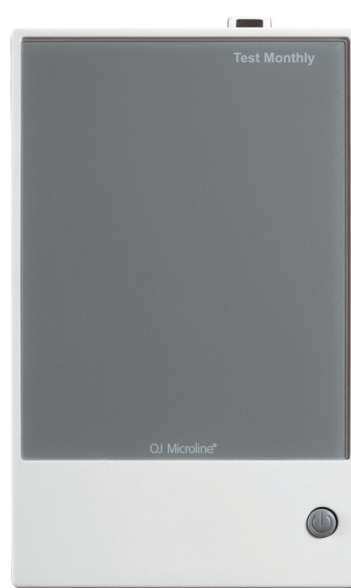


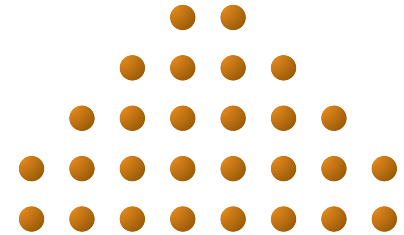
OJ Microline®  
**UTN**



UTN-4991



USG-4000



**3**  
 YEAR  
 warranty

THERMOSTATS FOR COMFORT HEATING

# OJ Microline® thermostat with built-in Class A GFCI

Optimal comfort in controlling electrical underfloor heating

## EFFICIENT, INTUITIVE AND STYLISH

- Simple user interface and thoughtful installation design
- Easy to use with no need for use of manual
- Screw terminals for safe and easy installation
- Multi voltage: 120-240 V (incl. 208 V)
- Output relay: 15 A
- Large back-lit display for easy reading
- Class A GFCI: suitable for wet room installation

## APPROVED QUALITY

- c-UL-us
- GFCI Class A, 5 mA trip level
- GFCI disconnects line and neutral (L2)

## PRODUCT PROGRAM:

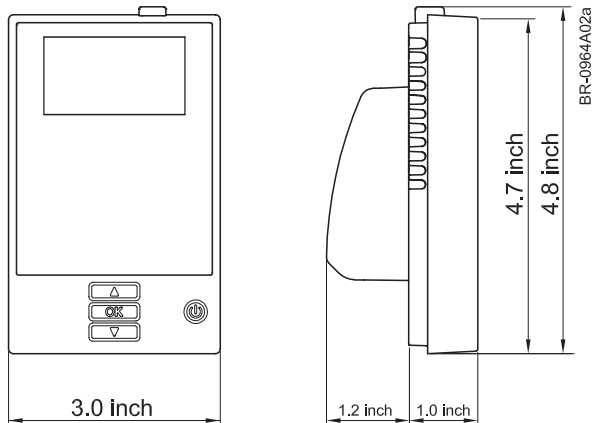
- UTN-4991 Incl. floor sensor with 3 m (10 ft) cable
- USG-4000 15 A power module with built-in Class A GFCI

## Thermostat control

The thermostat is an electronic on/off thermostat for controlling temperature by means of a sensor placed externally. The heat output is switched on and off with a difference of only 0.7°F (0.4°C)

The thermostat can be configured for control of floor temperature and regulator without sensor. It is compatible with existing floor sensors by means of a temperature setting, making it the best thermostat for renovation purposes.

In large applications, the UTN thermostat can be extended with additional USG power modules with built-in Class A GFCI. Output can thus be increased by 15 A per module.



### Class A GFCI

The thermostat features a built-in Class A GFCI (Ground Fault Circuit Interrupter). Should a ground fault occur, the GFCI disconnects both lines to the heating element. The thermostat and GFCI are multi voltage models suitable for 120-240 V (incl. 208 V), 50/60 Hz power supplies.

### c-UL-us according to the following standards:

Thermostat: UL 873  
 CSA 22.2 No. 24  
 UL file number: E157297  
 GFCI: UL 943  
 CSA C22.2 No. 144.1-06

### Offset adjustment

The thermostats set-point can be adjusted, matching the actual floor temperature. This ensures a 100% actual measurement and control of your underfloor heating system.

### Adjustable scale

The thermostat controls floor temperatures from +41°+104°F. The scale can be adjusted if wanted within this temperature range.

### TECHNICAL DATA

Supply ..... 120-240 Vac 50/60 Hz  
 Load ..... 15A maximum (resistive load)  
 Power ..... 1.800 W at 120 Vac  
 ..... 3.120 W at 208 Vac  
 ..... 3.600 W at 240 Vac  
 GFCI ..... Class A (5 mA trip level)  
 Temperature range ..... +41 to +104°F.(+5 to +40°C)  
 Amb. Temp. range ..... +32 to +104°F (0 to +40°C)  
 On/Off differential ..... 0.7°F (0.4°C)  
 Regulation principle.....PWM / PI  
 Housing ..... Nema 2 (IP21)  
 Floor sensor type.....NTC (12 KΩ) 10 ft (3 m.)  
 Dimensions(H/W/D) ..... 4,8/3,0/1,0 inch (123/75/25mm)